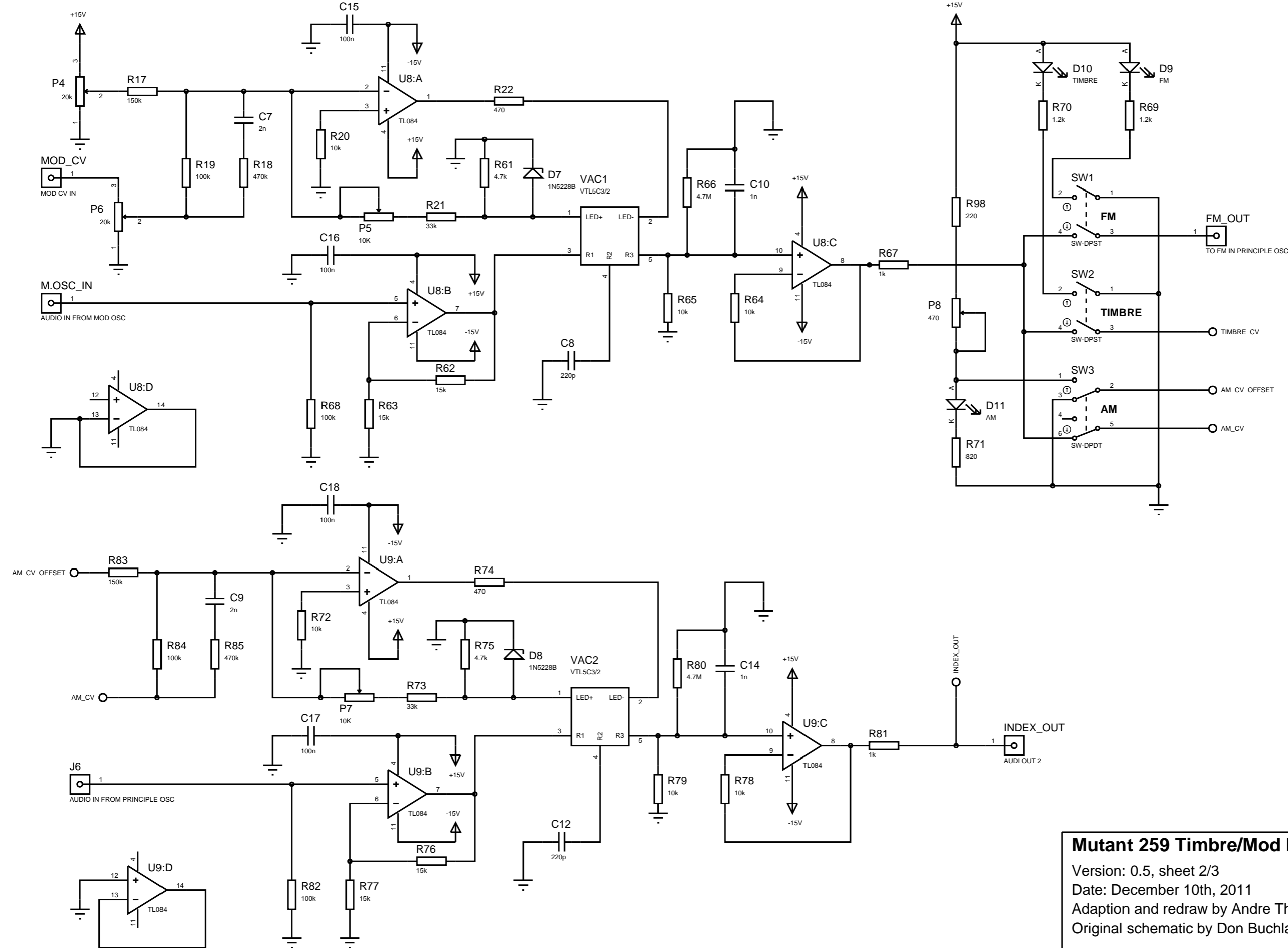
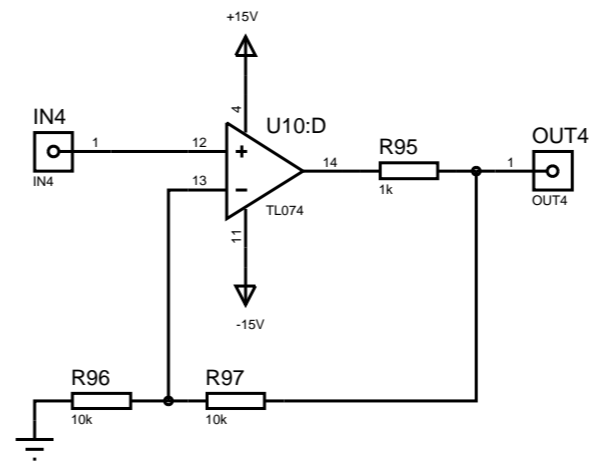
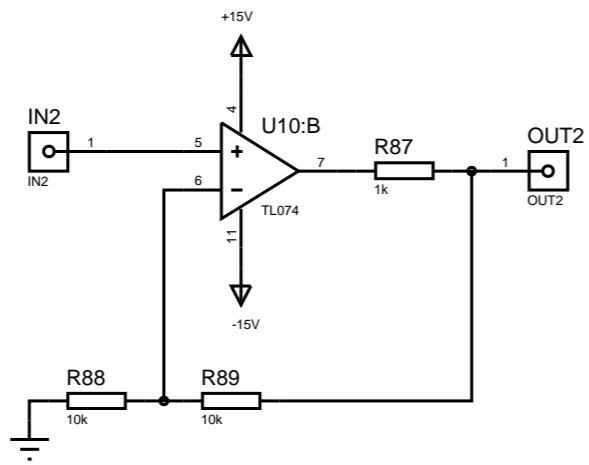
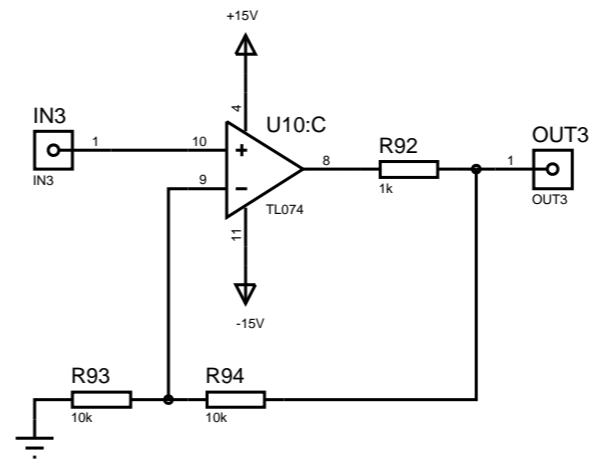
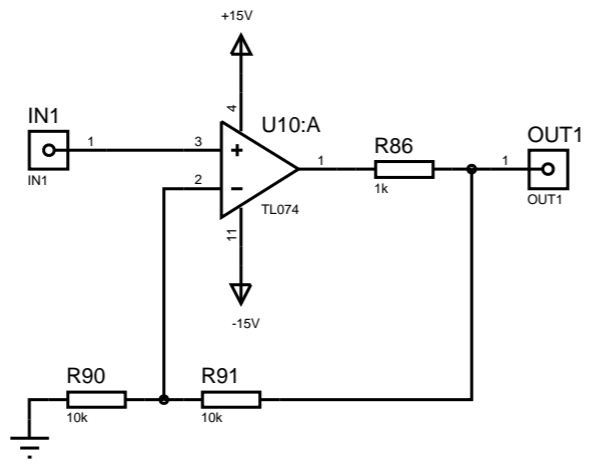


Mutant 259 Timbre/Mod Index
 Version: 0.5, sheet 1/3
 Date: December 10th, 2011
 Adaptation and redraw by Andre Theelen
 Based on schematic by Mark Verbos
 Original schematic by Don Buchla, 1978



Mutant 259 Timbre/Mod Index
 Version: 0.5, sheet 2/3
 Date: December 10th, 2011
 Adaption and redraw by Andre Theelen
 Original schematic by Don Buchla, 1977



Non-inverting opamps

Version: 0.5, sheet 3/3
 Date: December 10th, 2011
 Drawn by Andre Theelen